

LUMCOVE :

TECHNICAL SPECIFICATIONS

The luminaire:

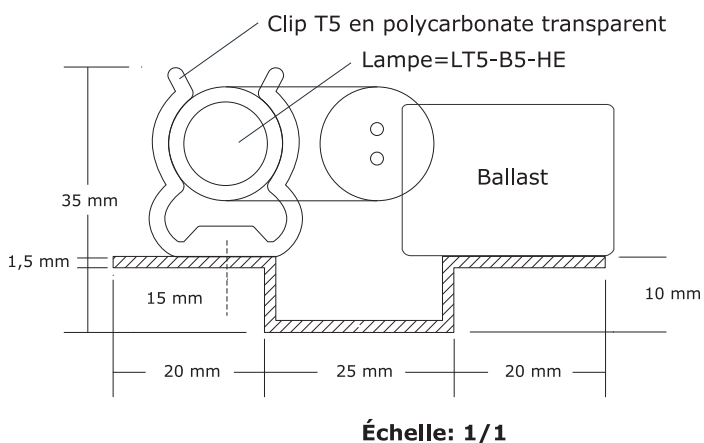
Description:	module with pre-fitted Lumco lamp LT5-B5-HE and electronic ballast, wiring and connector. By means of the included clips the modules can be butted closely, end to end.
Dimensions:	height: 35mm (with lamp) width: 65mm
Colour:	white
Thickness:	1,5mm
Power supply:	230V + earthing (fixed luminous flux: 3 wires, variable luminous flux: 5 wires)
Lamp type:	Lumco lamp LT5-B5-HE
Ballast:	electronic 230V (with or without dimming)

The lamp:

Type:	Lumco lamp LT5-B5-HE with turned-back electrodes, 100% lit to the ends, no dark areas continuous light lines: lamp length = light length
Diameter:	16mm
Colours:	827, 830 or 840 Use of triphosphorus powders with high colour rendering index (CRI > 85)
Lengths:	11 different standard lengths between 700 and 1370mm. With those standard lengths any made-to-measure light line can be realised. (Similar systems only have 3 or 4 standard lengths)
Wattages:	21w (3 lengths), 28w (4 lengths) and 35w (4 lengths)
Lamp ignition:	instantaneous and flicker-free
Dimming:	stepless from 100 to 1%
Average lumen output:	3000 lum/m
Average watt consumption:	27 watt/m

Lighting Control Systems:

Switchdim DS1	with push button for operating a maximum of 5 ballasts
Swichdim DS2	with push button and dimmer module for operating a max. of 25 ballasts
Analogue 1-10V direct voltage control (DAD)	with dimmer module 1-10V
Control using IR remote control (DIR)	with IR module
Dali lighting control system (DAD)	with DIM DALI ballast + Dali components



LT5-B5-HE TURNED-BACK ELECTRODES

